

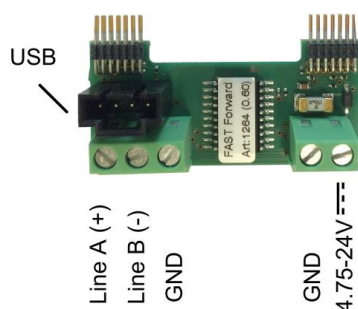
EnergyCam 2.0 Interfaces

Datasheet

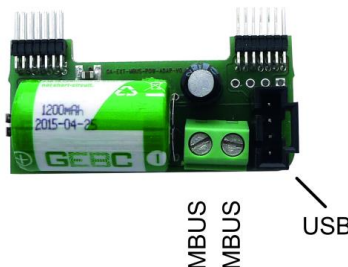


The EnergyCam 2.0 Interface slide-in modules enable the wired communication of EnergyCam 2.0 via M-Bus, RS 485 (Modbus) or Open Wire. Additionally, every module has a serial interface for configuration of EnergyCam 2.0 with the EC2 USB Interface Art. Nr. 1263.

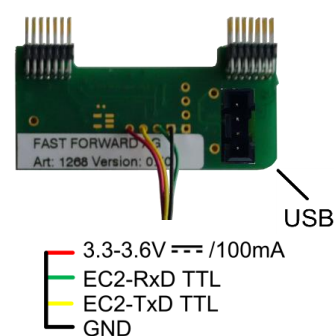
EC2 RS 485 Interface
Art. Nr. 1264



EC2 M-Bus Interface
Art. Nr. 1266



EC2 Interface Cable
Art. Nr. 1268



Technical specs

	EC2 RS 485 Interface Art. Nr. 1264	EC2 M-Bus Interface Art. Nr. 1266	EC2 Interface Cable Art. Nr. 1268
Data transfer			
Interface	Connector for EnergyCam 2.0 main unit slot		
Protocol	Modbus	M-Bus (EN1434-3 / EC13757)	Modbus
Data transfer and power supply ports	Screw terminal blocks: 2-pole for power supply 3-pole for data transfer	2-pole screw terminal block for data transfer and power supply	2.0m 4-wire cable for data transfer and power supply
Serial port for configuration	4-pole port for configuration with EC2 USB Interface Art. Nr. 1263 ECWin software available for download		
Electrical properties			
Power supply	4.75-24VDC / ≥ 100 mA	Installation: 1/2 AA lithium thionyle battery, 3.6V, 1200mAh Standard operation: Via M-Bus (2 standard loads)	3.3-3.6VDC / ≥ 100 mA
General			
Dimensions	48 x 23 mm	48 x 23 mm	48 x 23 mm, 2.0m cable
Weight	11 g	18 g	21 g (incl. cable)

EC2 USB Interface Art. Nr. 1263



For EnergyCam 2.0 configuration and firmware updates with ECWin software via serial interface.

The EC2 USB Interface is recommended for connecting a EnergyCam 2.0 Interface to a PC (Micro-USB data cable not included).

Note: See below default communication parameters which are used by EnergyCam 2.0 for configuration with ECWin software and EC2 USB Interface.

Technical specs

EC2 USB Interface Art. Nr. 1263	
Data transfer	
Interface	Micro-USB socket for connecting a PC, 1.9m cable for connecting EnergyCam 2.0 Interface
Protocol	Modbus
Communication parameter	Baudrate: 115200 Parity: even Stopbits: 1 Slave address: 1
Electrical properties	
Power supply	5VDC / ≥100mA Micro-USB
General	
Housing material	ABS, black, 4 screws
Dimensions	70 x 40 x 20 mm, 1.9m cable
Weight	45 g